

# C49 Electric 7.4v

YewdaleDefiant® Cassetted Blinds



## C49 Electric 7.4v

### Features:

The YewdaleDefiant® C49 electric cassetted blind with side channels features a 7.4v DC battery powered tubular motor. The cassette is designed for top or face fixing which accommodates a 40mm grooved aluminium barrel, housing the motor. The motor makes operation easy thanks to its remote control, with a quiet and soft start/stop motion and electronic stops. The fabric is locked into a groove in the barrel with studs fitted at the edge of the fabric to retain it within the side channels. Aluminium bottom bar. Black or white hardware as standard.

### Benefits:

The C49 will keep the fabric looking its best thanks to the protection afforded by the headbox and the tracker side channels keeping the fabric taut. The remote control operated motorised elements of this system ensure ease of use and the limit stop functionality provides four intermediate pre-sets the user can set to stop the blind at different levels throughout the day.

### Options:

Black or white hardware; tracker fabric retaining system; available in any RAL colour.

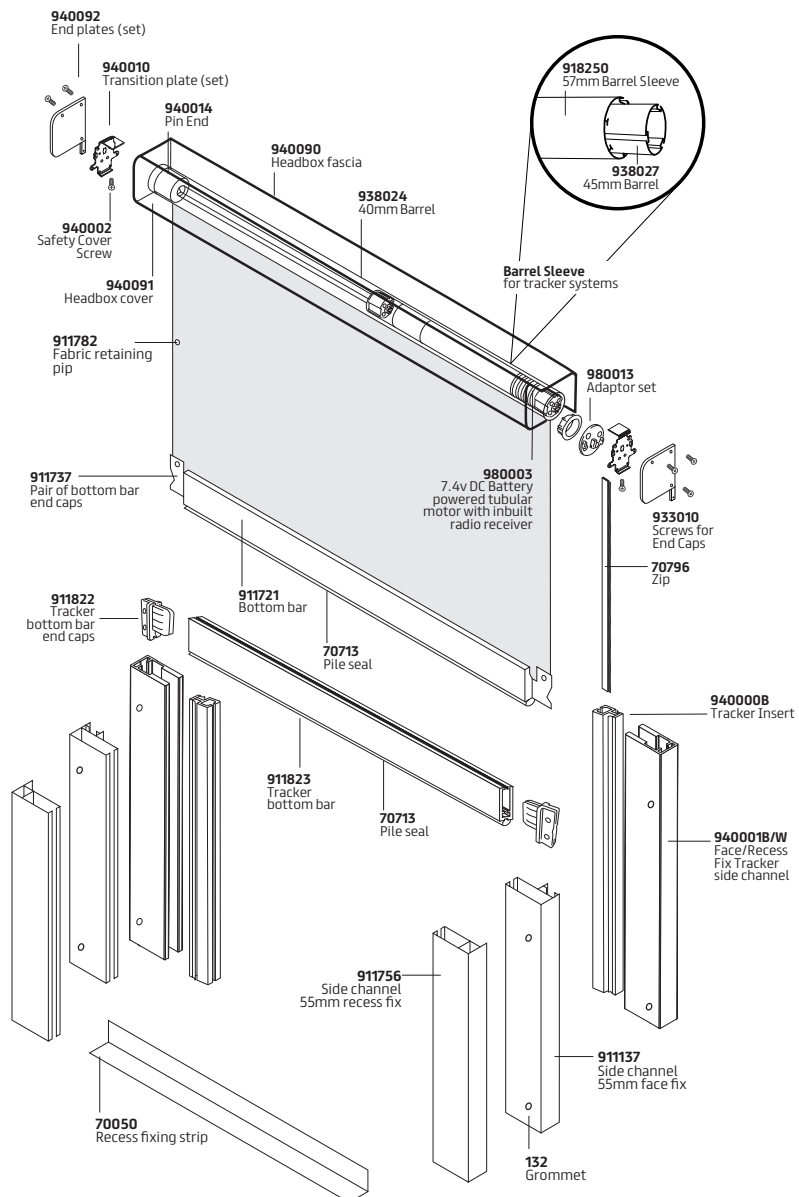
### Specification:

The YewdaleDefiant® C49 electric cassetted blind with side channels as manufactured by Yewdale, +44(0)1268 570900. Flame retardant fabric from the YewdaleDefiant® range, locked into a grooved 40mm aluminium barrel along with an aluminium bottom bar as standard. 7.4v DC motor housed within a black/white aluminium cassette with side channels and bottom bar.

Please refer to NBS Plus N10 240.

## Cassetted Blind Profile Dimension Guide

Model	Cassette Size (HxD)	Barrel Size Ø	Side Channel Size (WxD)
C49-60	77 x 73mm	40mm	55 x 13mm
C49-90	105 x 95mm	40mm	55 x 13mm



### lifetime warranty

This cassetted blind range comes with a full Lifetime Warranty as standard.



### have you seen our new range of fabrics?

Find a matching option from the YewdaleDefiant® range. You'll find it easy to choose.