



C44 Crank

Features:

The YewdaleDefiant® C44 crank cassetted blind features a compact, robust 1:3½ gear mechanism operated by a detachable crank handle. The cassette is designed for top or face fixing and accommodates 45, 53 or 70mm grooved aluminium barrels, depending on blind size and fabric weight. The fabric is locked into a groove in the barrel with studs fitted at the edge of fabric to retain it within side channels. Aluminium bottom bar. Black or white hardware as standard.

Benefits:

Durability and simplicity make the C44 a good choice for a vast range of applications. With its aluminium side channels and powerful gear controls it will perform dependably in all kinds of contract applications. The geared crank handle and mechanism ensures smooth blind control and is safer for areas where cords are a threat. Fabric locked into the barrel and bottom bar and supported by sturdy supports.

Options:

Black or white hardware; Fixed crank handle; Tracker fabric retaining system; Available in any RAL colour.

Specification:

The YewdaleDefiant® C44-90/120 crank control cassetted blind with side channels as manufactured by Yewdale, +44 (0)1268 570900. Flame retardant fabric from the YewdaleDefiant® range, locked into grooved 45/53/70mm aluminium barrel along with aluminium bottom bar as standard. Robust vandal resistant 1:3½ crank mechanism and pin end housed within black/white aluminium cassette with side channels and bottom bar.

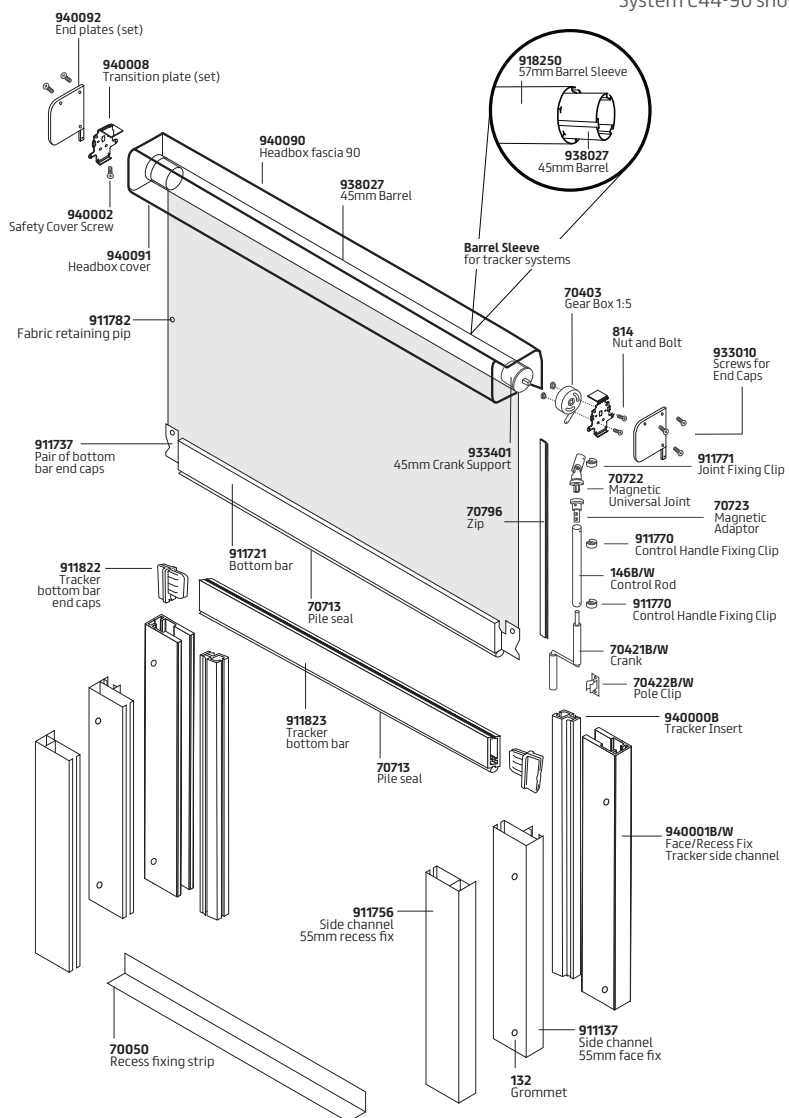
Please note: Caution should be used when installing in drafty conditions - blinds should not be left down in the situation of open windows.

Please refer to NBS Plus N10 240.

Cassetted Blind Profile Dimension Guide

Model	Cassette Size (HxD)	Barrel Size Ø	Side Channel Size (WxD)
C44-90	105 x 95mm	45mm	55 x 13mm
C44-120	140 x 120mm	53 / 70mm	55 x 13mm

System C44-90 shown.



lifetime warranty

This cassetted blind range comes with a full Lifetime Warranty as standard.



have you seen our new range of fabrics?

Find a matching option from the YewdaleDefiant® range. You'll find it easy to choose.