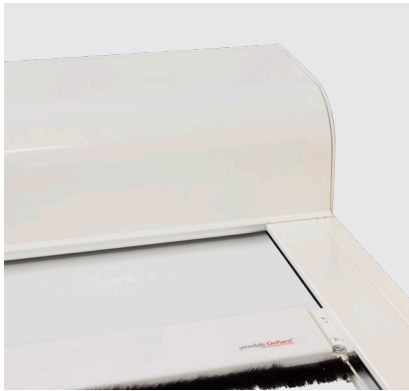


# C56T Overhead Crank

YewdaleDefiant® Cassetted Blinds



## C56T Overhead Crank

### Features:

Smooth operation and complete control is what makes the YewdaleDefiant® C56T overhead cassetted blind so inspiring. The 1:5 gear control crank mechanism allows you to easily operate the blind, and the fabric is held in place in the side channels. This blind is drawn across the window by tensioned spring units on the bottom bar and the powder-coated aluminium headbox is slim and discreet, making it ideal for buildings looking for a stylish overhead blind. The C56T can be made to a maximum size of 3m X 3m.

### Benefits:

The YewdaleDefiant® C56T overhead cassetted blind is a diverse, bracketless shading solution that provides control over the amount of light entering a large overhead window. However, unlike other overhead blinds, this solution is discreet. The headbox and sidechannels are slim and available in black or white powder-coated aluminium, and operation is quiet and smooth and the fabric is held tight across the blind, eliminating sagging. The robust, detachable crank and vandal resistant 1:5 gear control crank mechanism makes this blind ideal for a multitude of contract applications.

### Options:

Black or white hardware, fixed crank. It is recommended that only the following fabrics are used in conjunction with this product: Medway, Roach, Roe.

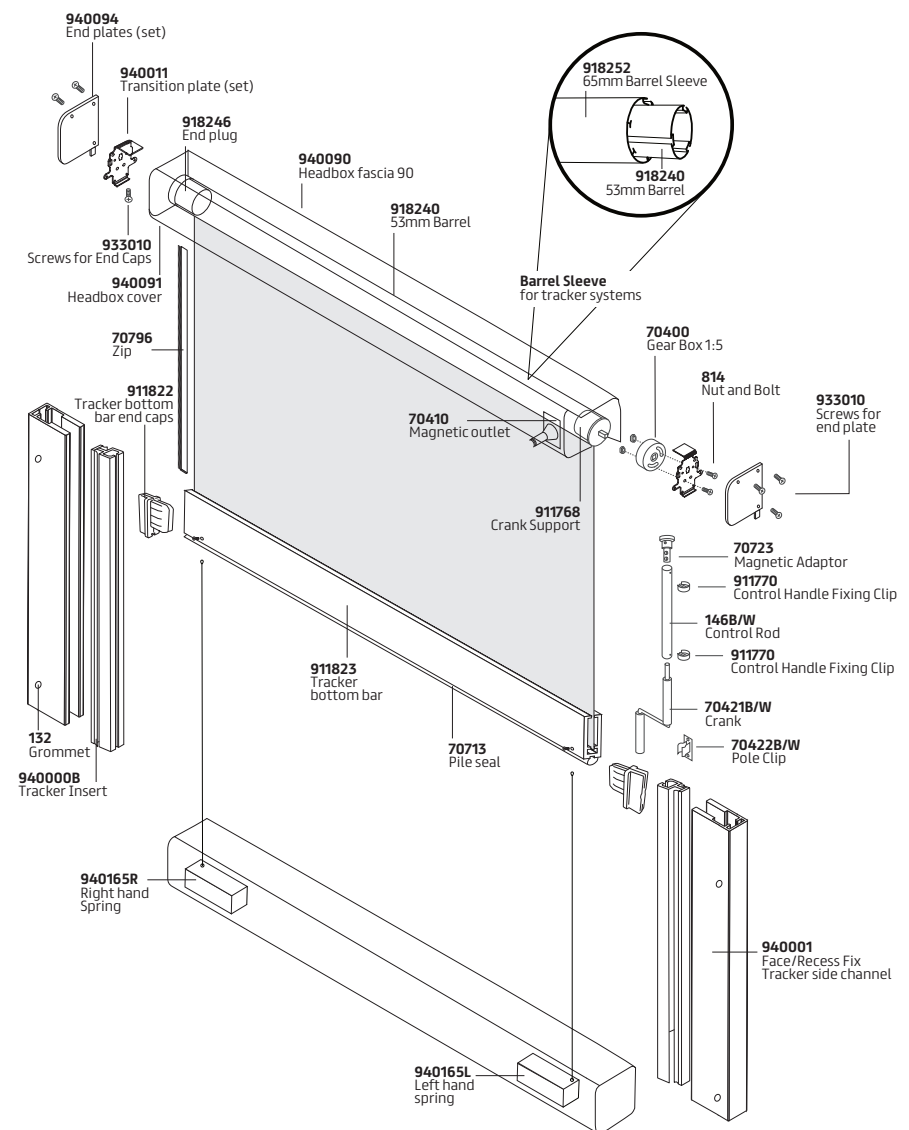
### Specification:

The YewdaleDefiant® C56-90/120T overhead cassetted blind with Tracker Fabric Retaining System and crank control as manufactured by Yewdale, +44 (0)1268 570900. Flame retardant fabric from the YewdaleDefiant® range, on a grooved 53/70mm aluminium barrel along with aluminium bottom bar as standard. The barrel, driven by a vandal resistant 1:5 gear control crank mechanism, operates the blind by means of tensioned spring units connected to the bottom bar. Twin black/white powder-coated aluminium headbox cassettes, side and bottom channels and bottom bar and incorporating a detachable crank handle.

## Cassetted Blind Profile Dimension Guide

Model	Cassette Size (HxD)	Barrel Size Ø	Side Channel Size (WxD)
C56-90T	105 x 95mm	53mm	50 x 24.8mm
C56-120T	140 x 120mm	53 / 70mm	50 x 24.8mm

Some rippling may occur at the edges of the fabric.



### lifetime warranty

This cassetted blind range comes with a full Lifetime Warranty as standard.