

# R20B Battery 7.4v DC

YewdaleDefiant® Roller Blinds



Standard Bottom Bar Featured

## R20B Low Voltage Battery 7.4v DC

### Features:

The YewdaleDefiant® R20B electric roller blind comes with a low voltage battery motor as standard. The white metal brackets have plastic covers, for face or top fixing, on 40mm grooved aluminium barrel. The barrel houses a 7.4v DC motor with electronic limit stops and a slow stop/start feature. The motor is controlled by a remote switch (not supplied) and can be charged by either a mains charger (one supplied per order) or solar panel. The fabric is locked into a groove in the barrel, and it features a white plastic bottom bar as standard. The bottom bar is fabric covered at the front.

### Benefits:

A slim, reasonably priced blind with true fingertip control makes the R20B a perfect choice for motorised requirements including home automation. Its quiet and reliable motor houses a receiver, with simple radio control options operating the blind effortlessly. Housed within the barrel and supported by sturdy, metal brackets with attractive, slim plastic covers the motor is simply charged either by a charger or a solar panel making this one of the most eco-friendly blinds available. The fabric is locked into the barrel and bottom bar and will give years of trouble-free use.

### Options:

Fully fabric covered bottom bar; Alternative bottom bars, including fabric covered aluminium, and Tear Drop aluminium in black, silver or white. Group control systems; Wire side-guiding system; White aluminium back bar; Fascia; 70 Fascia available in 3 colours, custom RAL on request and with a channel for inserting a fabric strip. Compatible with 32mm, 40mm and 45mm roller blinds (please see 70 Fascia Datasheet for more information).

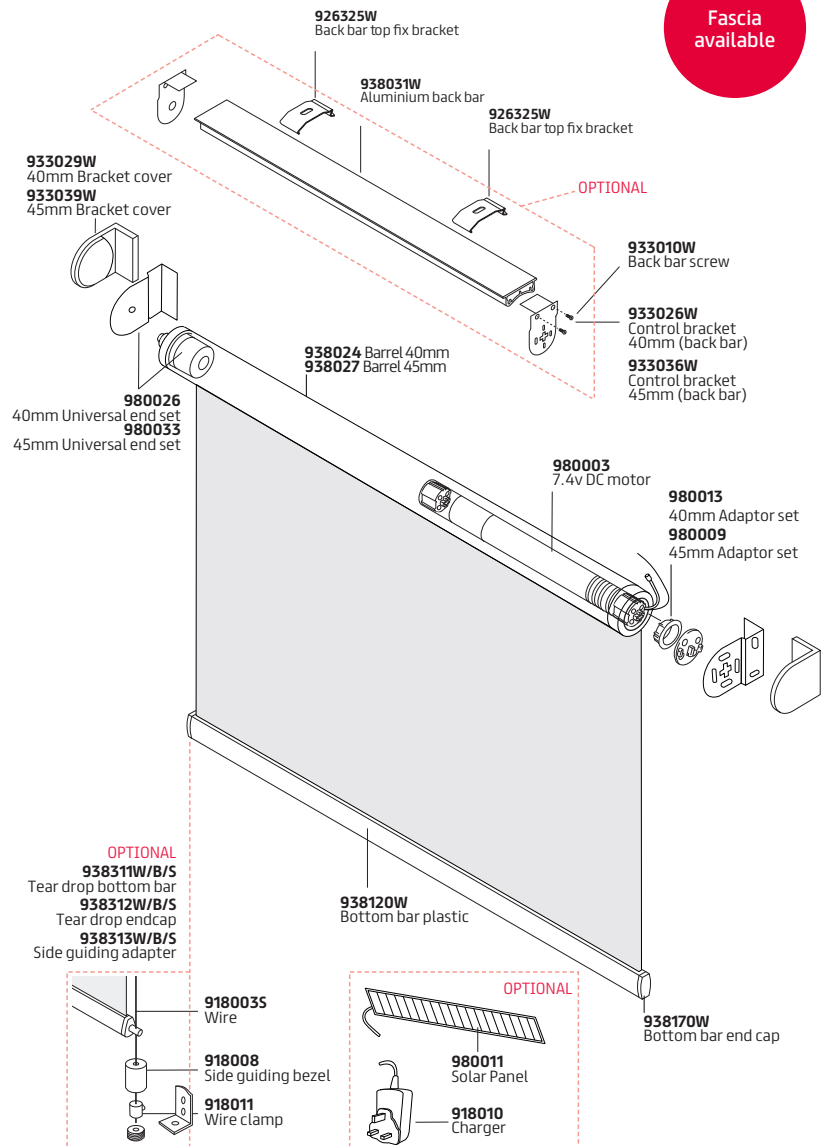
### Specification:

YewdaleDefiant® R20B low voltage electric roller blind with low voltage battery 7.4v DC motor as manufactured by Yewdale, +44 (0)1268 570900. Slim motor and spring end is housed within aluminium barrel supported by metal brackets with white plastic covers. Flame retardant fabric from the YewdaleDefiant® range, locked into grooved 40mm aluminium barrel along with white plastic bottom bar.

## Roller Blind Specification Guide

Model	Min Width	Max Width	Max Drop	Max M <sup>2</sup>
R20B Low Voltage Battery 7.4v DC	533	3450	4250	6.5

Fascia available



Find this product on NBS Source



# 70 Fascia Optional Extras

(suitable for R20, R20B, R20M, R20W)



## 70 Fascia Optional Extras

(suitable for R20, R20B, R20M, R20W)

### Features:

Our innovative fascia component conceals the gap above the blind's barrel, providing a sleek and minimalistic finish. Designed for flexibility, it accommodates both top-fixed and face-fixed installations, making it suitable for any setting. Add a personalised touch with a customisable fabric strip that perfectly complements your blinds.

### Benefits:

**Versatile and Simple Installation:** Top or Face fix, with or without brackets.

**Customisable Design:** Add a fabric strip to fascia to match or complement your blinds.

**3 Colour Choices:** Black, white or anthracite for the ultimate finish.

**Durable and High-Quality:** Made from premium materials for longevity.

**Protect and Maintain:** Reduce the accumulation of dust keeping the fabric in perfect condition.

### Options:

Black, White or Anthracite hardware as standard.

Any RAL colour on request.

Various sizes to fit different barrel dimensions.

### Specification:

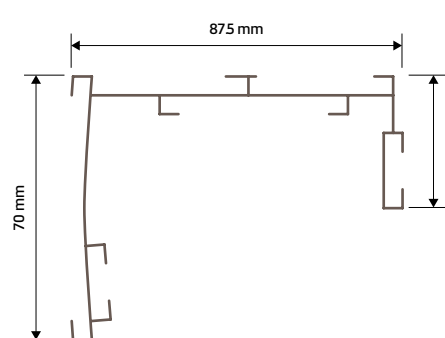
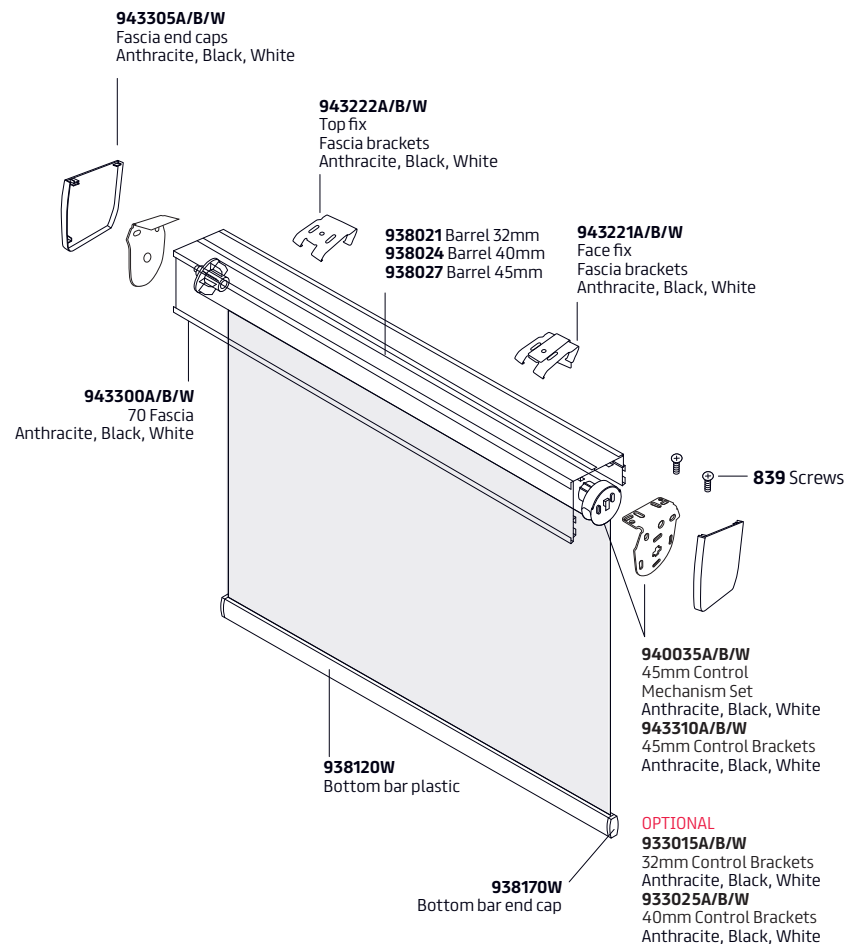
YewdaleDefiant® Fascia Component as manufactured by Yewdale, +44 (0)1268 570900. Aluminium fascia with compatible brackets, supplied in several sizes to suit different blind dimensions.



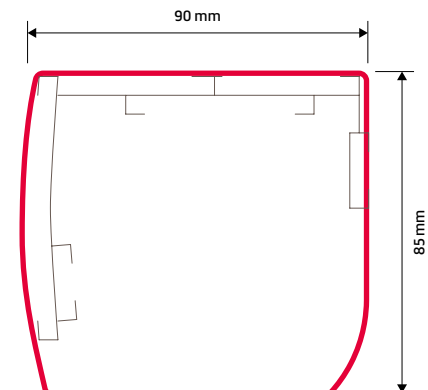
Find this product on  
NBS Source

## Roller Blind Specification Guide

Model	Min Width	Max Width	Max Drop	Max M <sup>2</sup>
R20 Sidewider	200	3450	4250	6.5
R20B Low Voltage Battery 7.4v DC	533	3450	4250	6.5
R20M Low Voltage Electric 24v DC	533	3450	4250	6.5
R20W Light Duty Crank	200	2650	3350	5.0



Headbox without End Caps



Headbox with End Caps