



C40 Sidewinder

Features:

All the YewdaleDefiant® C40 sidewinder cassette blinds come with an enclosed aluminium headbox and side channels as standard. The cassette is designed for top or face fixing and accommodates 32, 45, 53 or 70mm grooved aluminium barrels, depending on blind size and fabric weight. Fabric is locked into groove in barrel. A robust Slipstream® sidewinder mechanism provides the effective means of operation with the use of metal control chain, held in place by a chain tidy. Studs fitted at edge of fabric to retain it within side channels. Black or white hardware as standard.

- Quick and easy installation
- Block light with powder coated end plates
- Dedicated support team available to assist with installation and product enquiries
- Blackout options available
- Side channels with integrated tracking system to secure the fabric and minimise light leakage
- Side channel end caps feature pre-drilled lugs for simplified installation

Benefits:

The excellent performance of the C40 cassetted blind is further enhanced by the addition of side channels, securing the fabric and bottom bar, whilst providing light exclusion if blackout fabric is used. The entire range is available to order with square or rounded headboxes which protect the fabric. The quality sidewinder mechanisms are simple to operate and allow accurate control of blind position. Our cassette blind systems are backed by our lifetime warranty.

You can install our C40 cassette blind using our new goalpost installation technique, which simplifies the installation. Our new end plates allow the side channels to be attached to the headbox and installed as a frame, reducing the installation time.

Options:

Square or rounded headboxes; Black or white hardware; Without side channels, C20-60/90/120; Tracker fabric retaining system; Available in any RAL colour.

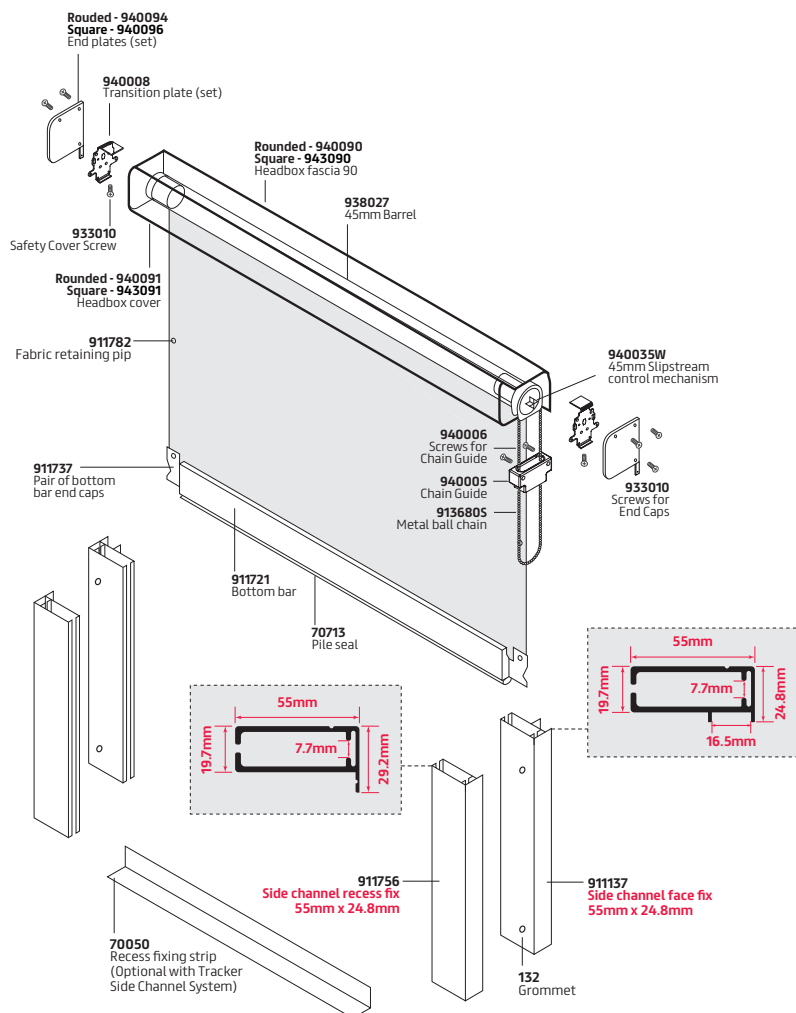
Specification:

YewdaleDefiant® C40-60/90/120 cassetted blind with side channels as manufactured by Yewdale, +44 (0)1268 570900. Flame retardant fabric from the YewdaleDefiant® range, locked into grooved 32/45/53/70mm aluminium barrel along with aluminium bottom bar as standard. Black/white aluminium cassette, side channels and bottom bar and incorporating metal control chain. Please note: caution should be used when installing in drafty conditions - blinds should not be left down in the situation of open windows.

Cassetted Blind Profile Dimension Guide

Model	Cassette Size (HxD)	Barrel Size Ø
C40-60	Rounded / Square - 77 x 73mm	32mm
C40-90	Rounded / Square - 105 x 95mm	45mm
C40-120	Rounded / Square - 140 x 120mm	53 / 70mm

Please note the line drawing below is an illustration and the product codes will vary according to headbox size.

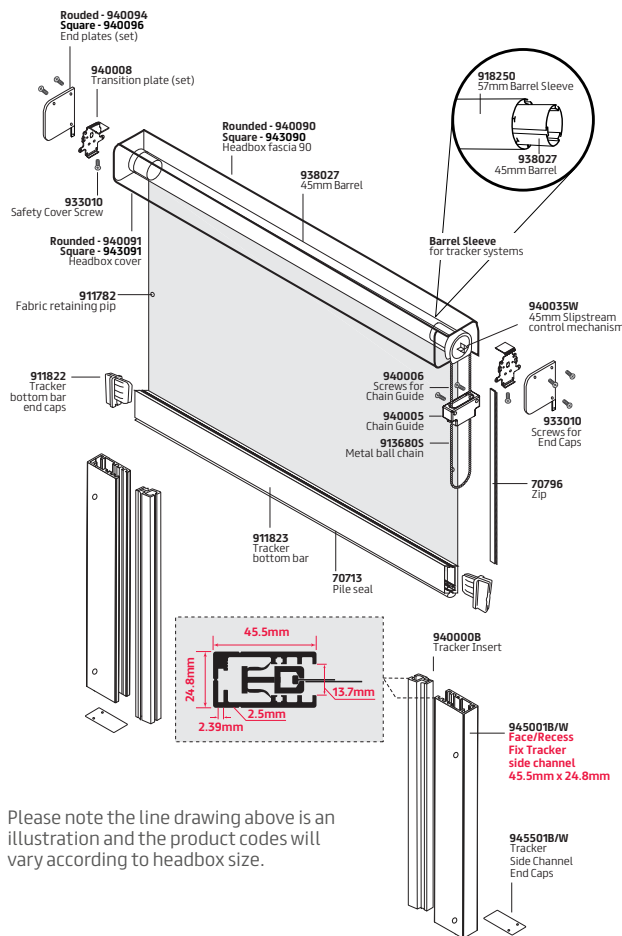
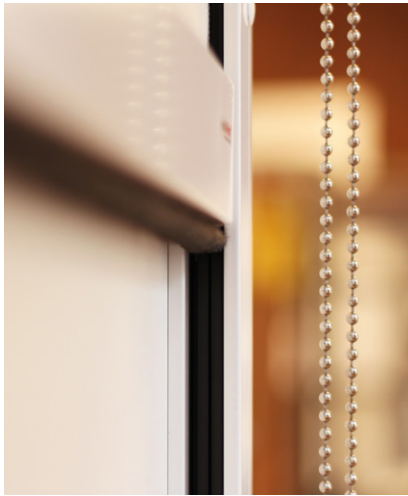


Find this product on
NBS Source



C40T Sidewinder

YewdaleDefiant® Cassetted Blinds



Please note the line drawing above is an illustration and the product codes will vary according to headbox size.



Find this product on NBS Source



C40T Sidewinder

Features:

All the YewdaleDefiant® C40T sidewinder cassette blinds come with an enclosed aluminium headbox and side channels as standard. The cassette is designed for top or face fixing and accommodates 32, 45, 53 or 70mm grooved aluminium barrels, depending on blind size and fabric weight. Fabric is locked into groove in barrel and features aluminium bottom bar with pile seal. A robust Slipstream® sidewinder mechanism provides the effective means of operation with the use of metal control chain, held in place by a chain tidy. Black or white hardware as standard.

Incorporating the YewdaleDefiant® tracker fabric retaining side channels for vandal-resistant blind alignment, with the functional tracker bottom bar and end caps that complete the system.

- Quick and easy installation
- Block light with powder coated end plates
- Dedicated support team available to assist with installation and product enquiries
- Blackout options available
- Side channels with integrated tracking system to secure the fabric and minimise light leakage
- Side channel end caps feature pre-drilled lugs for simplified installation

Benefits:

Developed to ensure a higher level of tamper-resistance, our tracker side channels ensure the fabric stays secure and prevents movement by air movement or persons around it. This is a popular solution for colleges, schools, libraries etc. You can choose between a square or rounded headbox to complete the blind and protect it from dust and damage.

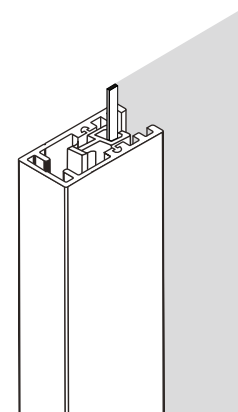
You can install our C40T cassette blind using our new goalpost installation technique, which simplifies the installation. Our new end plates allow the side channels to be attached to the headbox and installed as a frame, reducing the installation time.

Specification:

The YewdaleDefiant® C40T Sidewinder as manufactured by Yewdale, +44 (0)1268 570900. Slim aluminium profile with tracker side channels and bottom bar (in black or white) for tamper-resistance. Incorporating a sturdy metal control chain and flame retardant YewdaleDefiant® fabric.

Cassetted Blind Profile Dimension Guide

Model	Cassette Size (HxD)	Barrel Size Ø
C40T-60T	Rounded / Square - 77 x 73mm	32mm
C40T-90T	Rounded / Square - 105 x 95mm	45mm
C40T-120T	Rounded / Square - 140 x 120mm	53 / 70mm

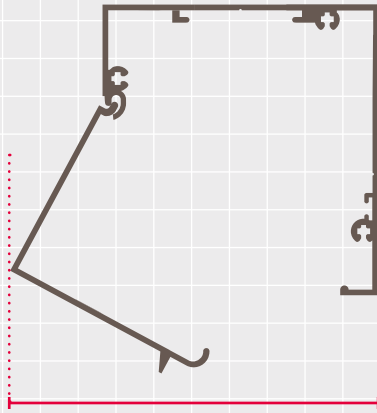


Cassette Headbox

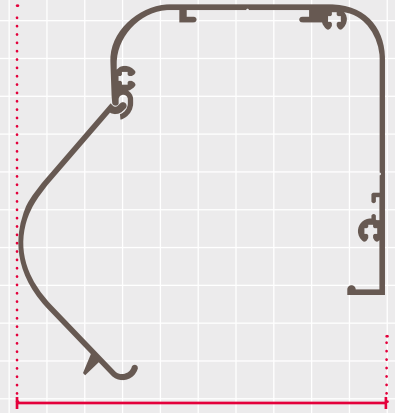
Recommended Installation Clearance

yewdale **Defiant**[®]
FABRIC AND BLIND SYSTEMS

Cassette 60

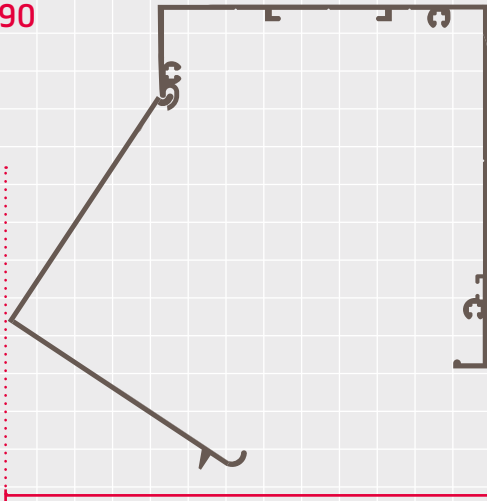


Min. Required: 95mm

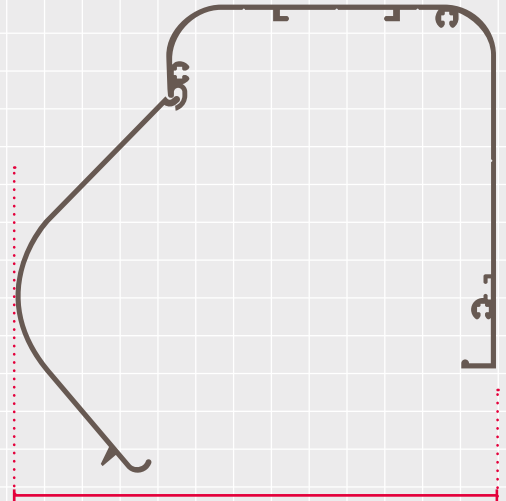


Min. Required: 95mm

Cassette 90

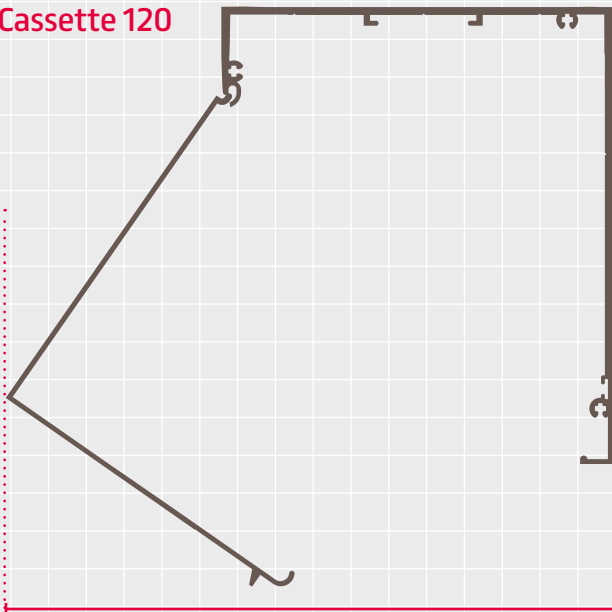


Min. Required: 145mm

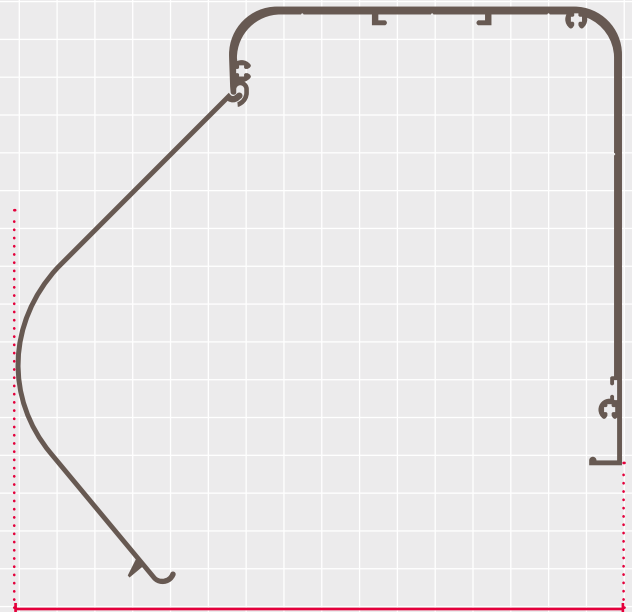


Min. Required: 145mm

Cassette 120



Min. Required: 185mm



Min. Required: 185mm

All dimensions shown are indicative guidance only. The contractor/installer is responsible for verifying minimum space requirements prior to installation.