



C44 Crank

Features:

The YewdaleDefiant® C44 crank control cassette blind features a compact, robust 1:3½ gear mechanism operated by a detachable crank handle. The cassette is designed for top or face fixing and accommodates 45, 53 or 70mm grooved aluminium barrels, depending on blind size and fabric weight. The fabric is locked into a groove in the barrel with studs fitted at the edge of fabric to retain it within side channels. Aluminium bottom bar. Black or white hardware as standard.

- Quick and easy installation
- Block light with powder coated end plates
- Dedicated support team available to assist with installation and product enquiries
- Blackout options available
- Side channels with integrated tracking system to secure the fabric and minimise light leakage
- Side channel end caps feature pre-drilled lugs for simplified installation

Benefits:

Durability and simplicity make the C44 cassette a good choice for a vast range of applications. With its aluminium side channels and powerful gear controls, it will perform dependably in all kinds of contract applications. The geared crank handle and mechanism ensure smooth blind control and is safer for areas where cords are a threat. Fabric is locked into the barrel and bottom bar and supported by sturdy supports. You can choose between a square or rounded headbox to complete the blind and protect it from dust and damage.

You can install the C44 using our goalpost installation, which we designed for cassette blinds with side channels. We redesigned the end plates to include small lugs which allow you to connect the side channels with the headbox to create a frame. The frame is strong enough to be held by the side channels and installed directly to the wall or recess.

Options:

Square or rounded headbox; Black or white hardware; Fixed crank handle; Tracker fabric retaining system; Available in any RAL colour.

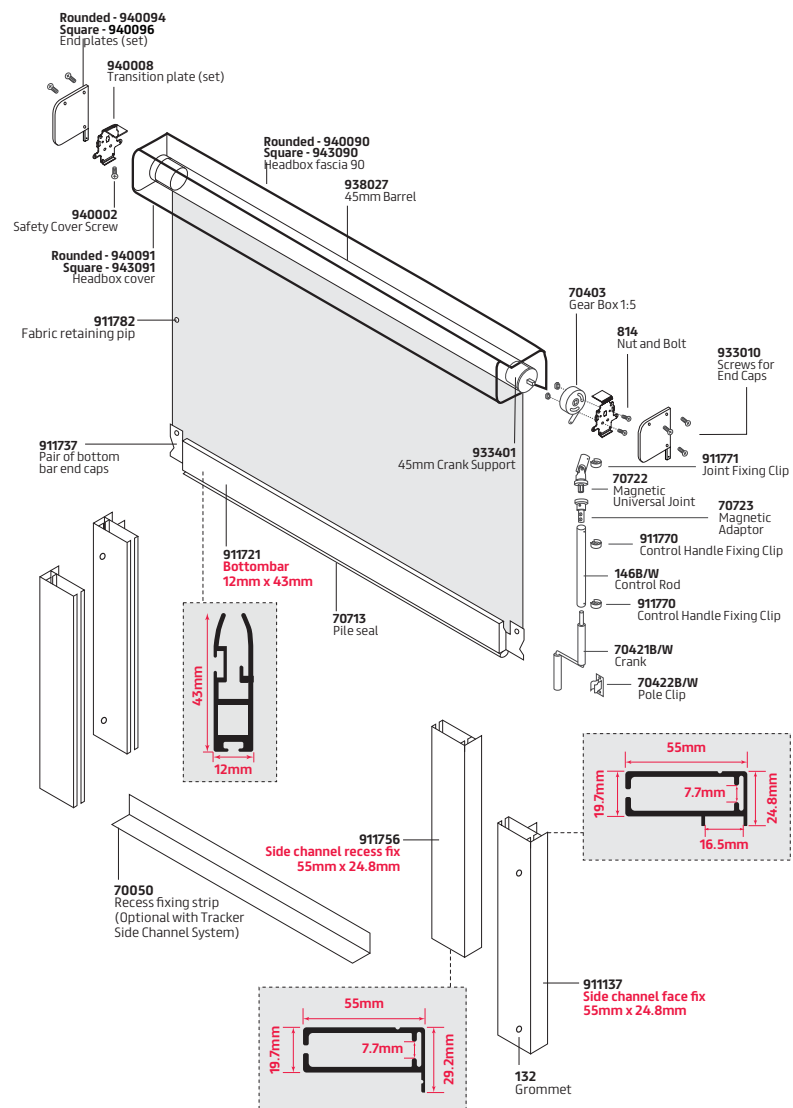
Specification:

The YewdaleDefiant® C44-90/120 crank control cassetted blind with side channels as manufactured by Yewdale, +44 (0)1268 570900. Flame retardant fabric from the YewdaleDefiant® range, locked into grooved 45/53/70mm aluminium barrel along with aluminium bottom bar as standard. Robust vandal resistant 1:3½ crank mechanism and pin end housed within black/white aluminium cassette with side channels and bottom bar. Please note: caution should be used when installing in drafty conditions - blinds should not be left down in the situation of open windows.

Cassetted Blind Profile Dimension Guide

Model	Cassette Size (HxD)	Barrel Size Ø
C44-90	Rounded / Square - 105 x 95mm	45mm
C44-120	Rounded / Square - 140 x 120mm	53 / 70mm

Please note the line drawing below is an illustration and the product codes will vary according to headbox size.

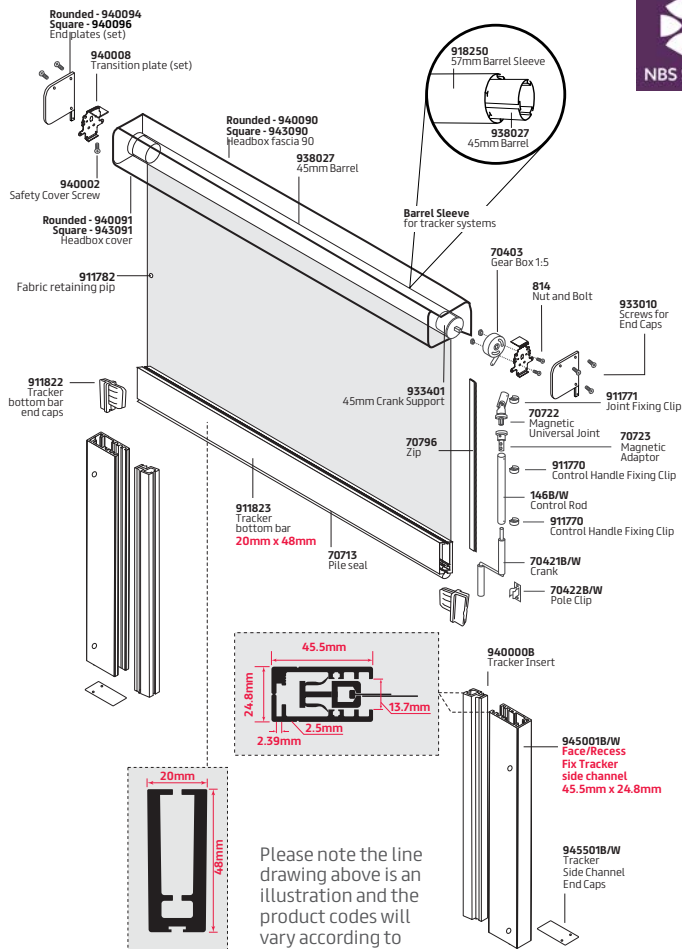


Find this product on
NBS Source



C44T Crank

YewdaleDefiant® Cassetted Blinds



Find this product on NBS Source



C44T Crank

Features:

The YewdaleDefiant® C44T crank control cassette blind features a compact, robust 1:3½ gear mechanism operated by a detachable crank handle. The cassette is designed for top or face fixing and accommodates 45, 53 or 70mm grooved aluminium barrels, depending on blind size and fabric weight. Black or white hardware as standard.

Incorporating the YewdaleDefiant® tracker fabric retaining side channels for vandal-resistant blind alignment, with the functional tracker bottom bar and end caps that complete the system.

- Quick and easy installation
- Block light with powder coated end plates
- Dedicated support team available to assist with installation and product enquiries
- Blackout options available
- Side channels with integrated tracking system to secure the fabric and minimise light leakage
- Side channel end caps feature pre-drilled lugs for simplified installation

Benefits:

Developed to ensure a higher level of tamper-resistance, our tracker side channels ensure the fabric stays secure and prevents movement by air movement or persons around it. This is a popular solution for colleges, schools, libraries etc.

You can choose between a square or rounded headbox to complete the blind and protect it from dust and damage.

You can install our C44T cassette blind using our new goalpost installation technique, which simplifies the installation. Our new end plates allow the side channels to be attached to the headbox and installed as a frame, reducing the installation time.

Specification:

The YewdaleDefiant® C44T Crank as manufactured by Yewdale, +44 (0)1268 570900. Slim aluminium profile with tracker side channels and bottom bar (in black or white) for tamper-resistance. Incorporating a detachable crank and flame retardant YewdaleDefiant® fabric.

Cassetted Blind Profile Dimension Guide

Model	Cassette Size (HxD)	Barrel Size Ø
C44T-90T	Rounded / Square - 105 x 95mm	45mm
C44T-120T	Rounded / Square - 140 x 120mm	53 / 70mm

