

R20 Sidewinder

YewdaleDefiant® Roller Blinds



Standard Bottom Bar Featured

Roller Blind Specification Guide

Model	Min Width	Max Width	Max Drop	Max M ²
R20 Sidewinder	200	3450	4250	6.5

R20 Sidewinder

Features:

The YewdaleDefiant® R20 sidewinder roller blind incorporates Slipstream® Technology (patent pending) and has a metal control chain as standard. There are white metal universal brackets for face, top or side fixing with a 32mm, 40mm or 45mm grooved aluminium barrel, depending on the size of the blind and fabric weight. Fabric is locked into a groove in the barrel, and features a white plastic bottom bar as standard. The bottom bar is covered with fabric at the front.

Benefits:

Strength and simplicity make the R20 the first choice for a vast range of applications. The choice of barrel size means that the blind is always ideally matched to window size for optimum performance. Vandal resistant features includes Slipstream®: a friction reducing technology - smooth action operation, air cooled design and double spring function - providing you with enhanced hold, exceptional long life properties and advanced chain loading. Metal control chain, fabric locked into the barrel and bottom bar, and sturdy, attractive metal brackets with covers.

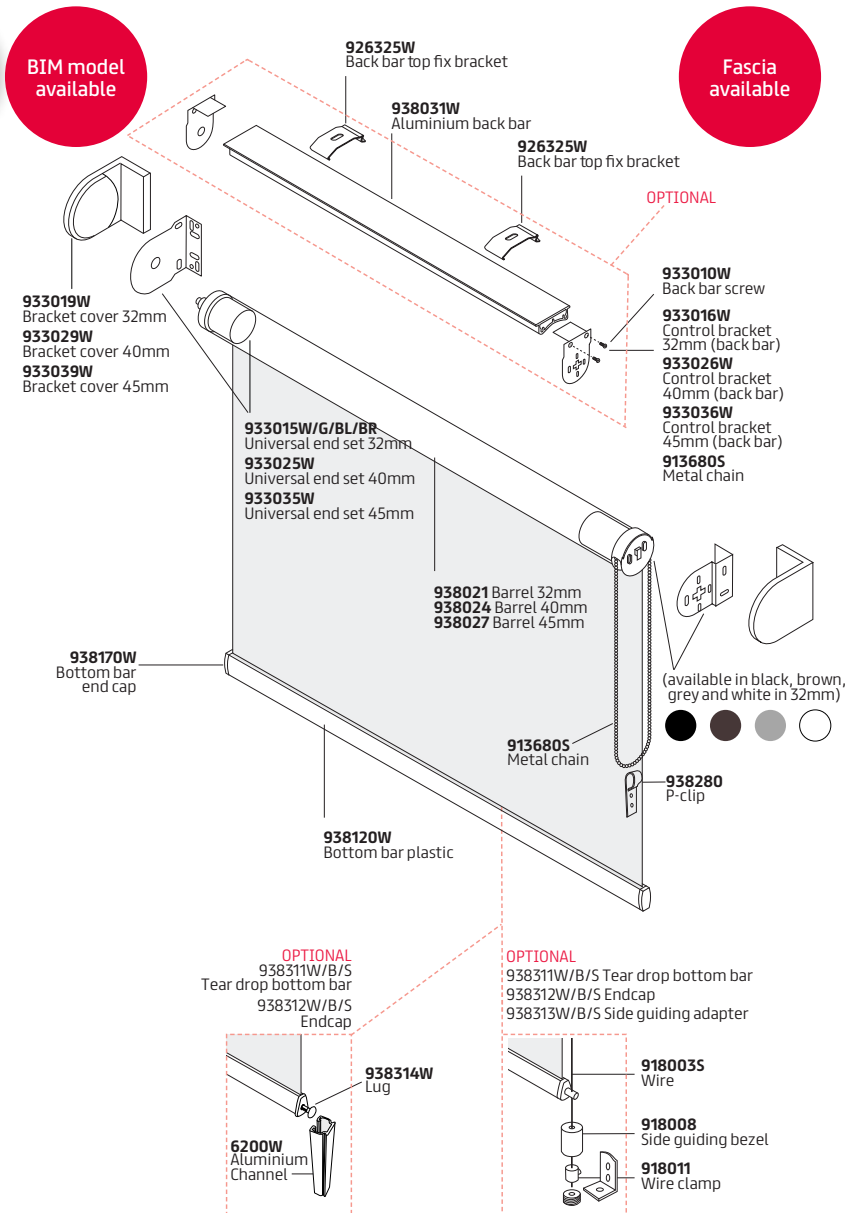
Approved to work with the YewdaleKestrel® Anti-Ligature system.

Options:

32mm Slipstream® mechanisms in black, silver or brown; Extension brackets and bracket covers; Plastic control chain; Alternative bottom bars including fully fabric covered in aluminium or plastic, and Tear Drop aluminium in black, silver or white; Wire side-guiding system; White aluminium back bar; Channel side-guiding system; Fascia; 70 Fascia available in 3 colours, custom RAL on request and with a channel for inserting a fabric strip. Compatible with 32mm, 40mm and 45mm roller blinds (please see 70 Fascia Datasheet for more information).

Specification:

The YewdaleDefiant® R20 sidewinder roller blind incorporating Slipstream® Technology for enhanced hold, advanced loading and exceptional long life properties as manufactured by Yewdale, +44 (0)1268 570900. Flame retardant fabric from the YewdaleDefiant® range, locked into grooved 32/40/45mm aluminium barrel along with white plastic bottom bar. Slipstream® Technology sidewinder control with metal control chain and white plastic bracket covers.



Find this product on
NBS Source



70 Fascia Optional Extras

(suitable for R20, R20B, R20M, R20W)



70 Fascia Optional Extras

(suitable for R20, R20B, R20M, R20W)

Features:

Our innovative fascia component conceals the gap above the blind's barrel, providing a sleek and minimalistic finish. Designed for flexibility, it accommodates both top-fixed and face-fixed installations, making it suitable for any setting. Add a personalised touch with a customisable fabric strip that perfectly complements your blinds.

Benefits:

Versatile and Simple Installation: Top or Face fix, with or without brackets.

Customisable Design: Add a fabric strip to fascia to match or complement your blinds.

3 Colour Choices: Black, white or anthracite for the ultimate finish.

Durable and High-Quality: Made from premium materials for longevity.

Protect and Maintain: Reduce the accumulation of dust keeping the fabric in perfect condition.

Options:

Black, White or Anthracite hardware as standard.

Any RAL colour on request.

Various sizes to fit different barrel dimensions.

Specification:

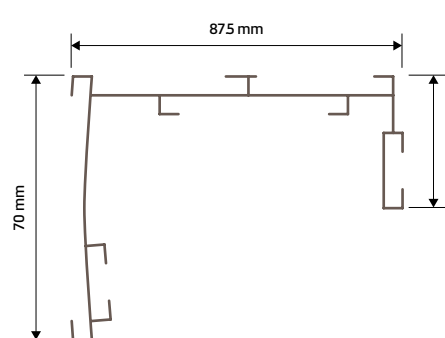
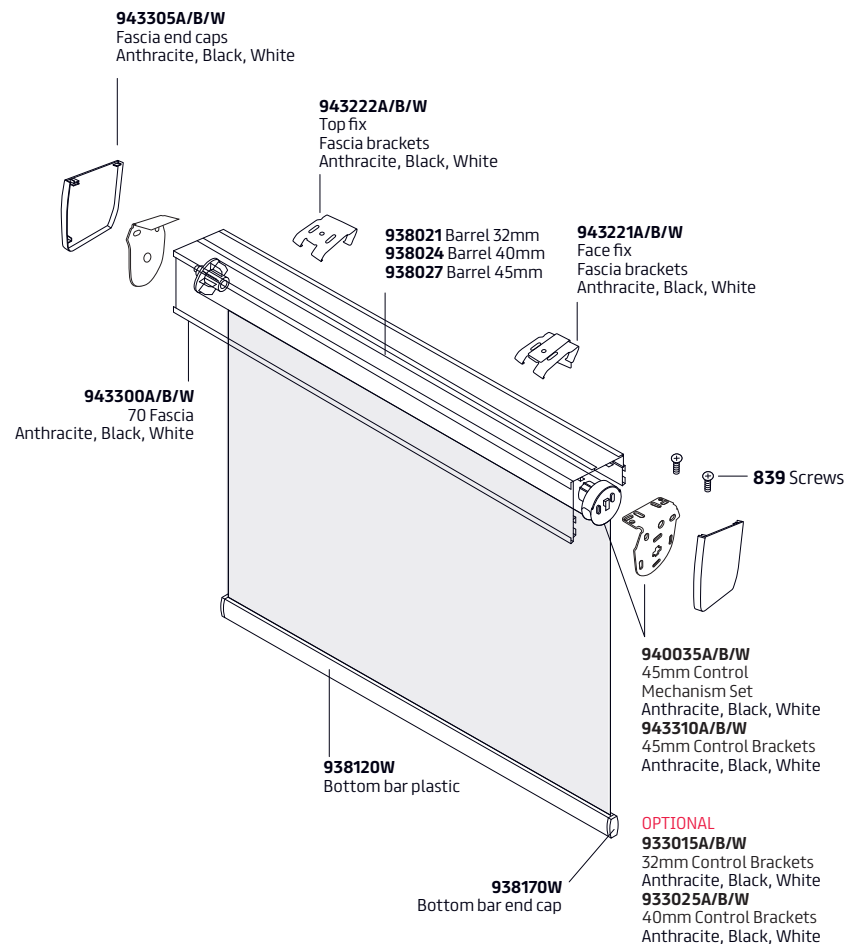
YewdaleDefiant® Fascia Component as manufactured by Yewdale, +44 (0)1268 570900. Aluminium fascia with compatible brackets, supplied in several sizes to suit different blind dimensions.



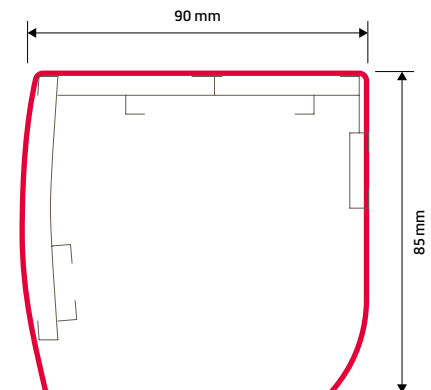
Find this product on
NBS Source

Roller Blind Specification Guide

Model	Min Width	Max Width	Max Drop	Max M ²
R20 Sidewider	200	3450	4250	6.5
R20B Low Voltage Battery 7.4v DC	533	3450	4250	6.5
R20M Low Voltage Electric 24v DC	533	3450	4250	6.5
R20W Light Duty Crank	200	2650	3350	5.0



Headbox without End Caps



Headbox with End Caps