

R20W Light Duty Crank

YewdaleDefiant® Roller Blinds



Standard Bottom Bar Featured

R20W Light Duty Crank

Features:

The YewdaleDefiant® R20W plastic crank controlled roller blind features a 40mm grooved aluminium barrel and white metal universal brackets for face or top fixing. The robust plastic wind mechanism ensures very smooth blind control, operated by a detachable handle (handle sold separately). The fabric is locked into a groove in the barrel, and features a white plastic bottom bar as standard.

Benefits:

Durability and simplicity make the R20W a good choice for a vast range of applications. The detachable handle (handle sold separately) ensures the blind is vandal resistant and safe for areas where cords are a danger. The fabric is locked into the barrel and bottom bar, supported by sturdy metal brackets, and the mechanism is encased within a plastic housing.

Options:

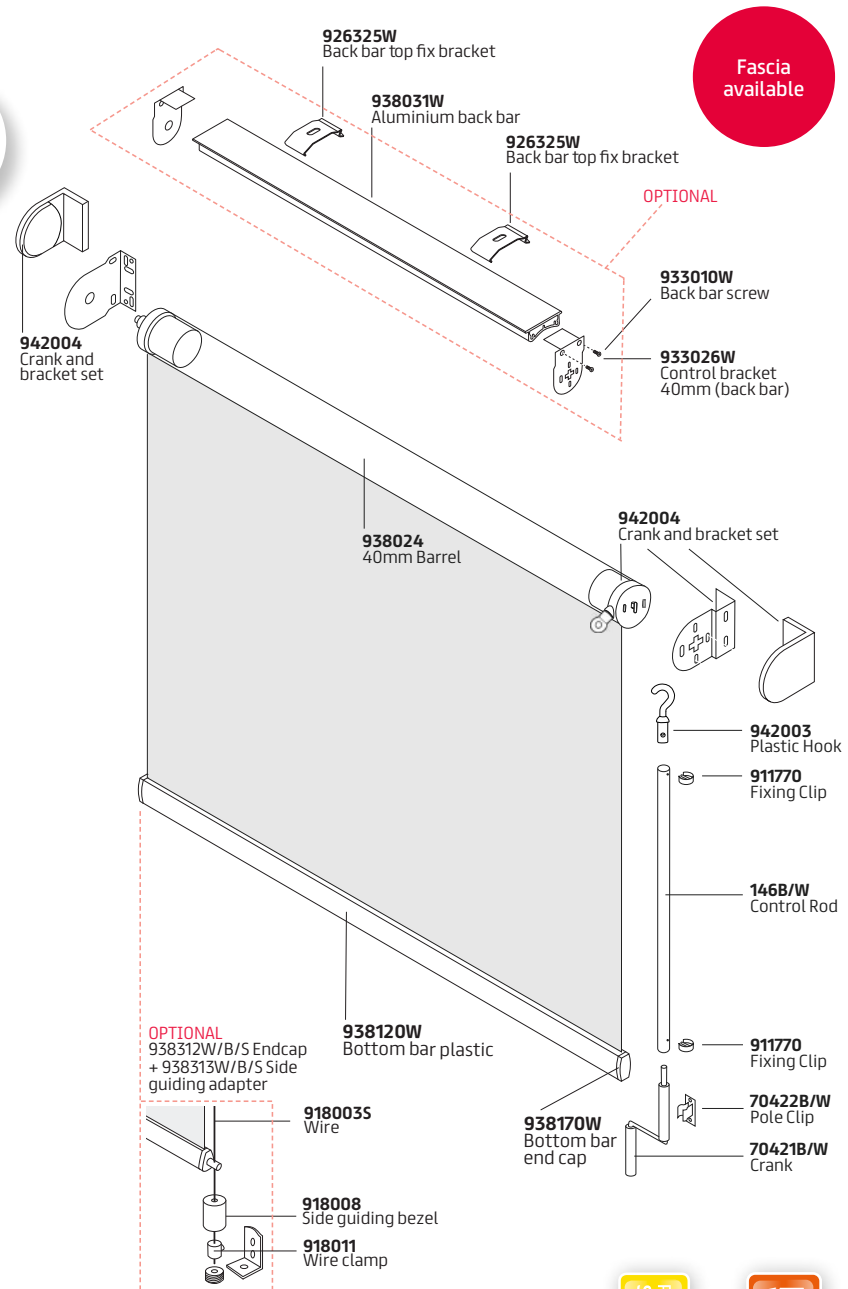
Alternative bottom bars including fully fabric covered in aluminium or plastic, and aluminium Tear Drop in black or silver; Detachable handle; Wire side-guiding system; White aluminium back bar on request and with a channel for inserting a fabric strip. Compatible with 32mm, 40mm and 45mm roller blinds (please see 70 Fascia Datasheet for more information).

Specification:

The YewdaleDefiant® R20W plastic crank controlled roller blind with detachable handle as manufactured by Yewdale, +44 (0)1268 570900. Robust plastic wind mechanism and pin end enclosed within a plastic housing and supported by white metal brackets with covers. Flame retardant fabric from the YewdaleDefiant® range, locked into grooved 40mm aluminium barrel along with plastic bottom bar.

Roller Blind Specification Guide

Model	Min Width	Max Width	Max Drop	Max M ²
R20W Light Duty Crank	200	2650	3350	5.0



Find this product on
NBS Source



70 Fascia Optional Extras

(suitable for R20, R20B, R20M, R20W)



70 Fascia Optional Extras

(suitable for R20, R20B, R20M, R20W)

Features:

Our innovative fascia component conceals the gap above the blind's barrel, providing a sleek and minimalistic finish. Designed for flexibility, it accommodates both top-fixed and face-fixed installations, making it suitable for any setting. Add a personalised touch with a customisable fabric strip that perfectly complements your blinds.

Benefits:

Versatile and Simple Installation: Top or Face fix, with or without brackets.

Customisable Design: Add a fabric strip to fascia to match or complement your blinds.

3 Colour Choices: Black, white or anthracite for the ultimate finish.

Durable and High-Quality: Made from premium materials for longevity.

Protect and Maintain: Reduce the accumulation of dust keeping the fabric in perfect condition.

Options:

Black, White or Anthracite hardware as standard.

Any RAL colour on request.

Various sizes to fit different barrel dimensions.

Specification:

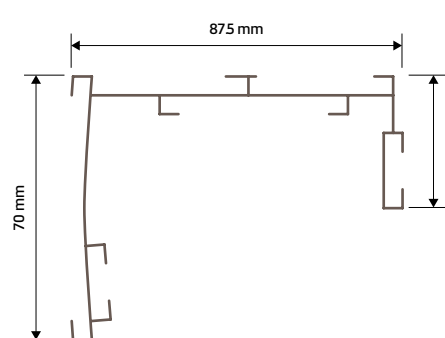
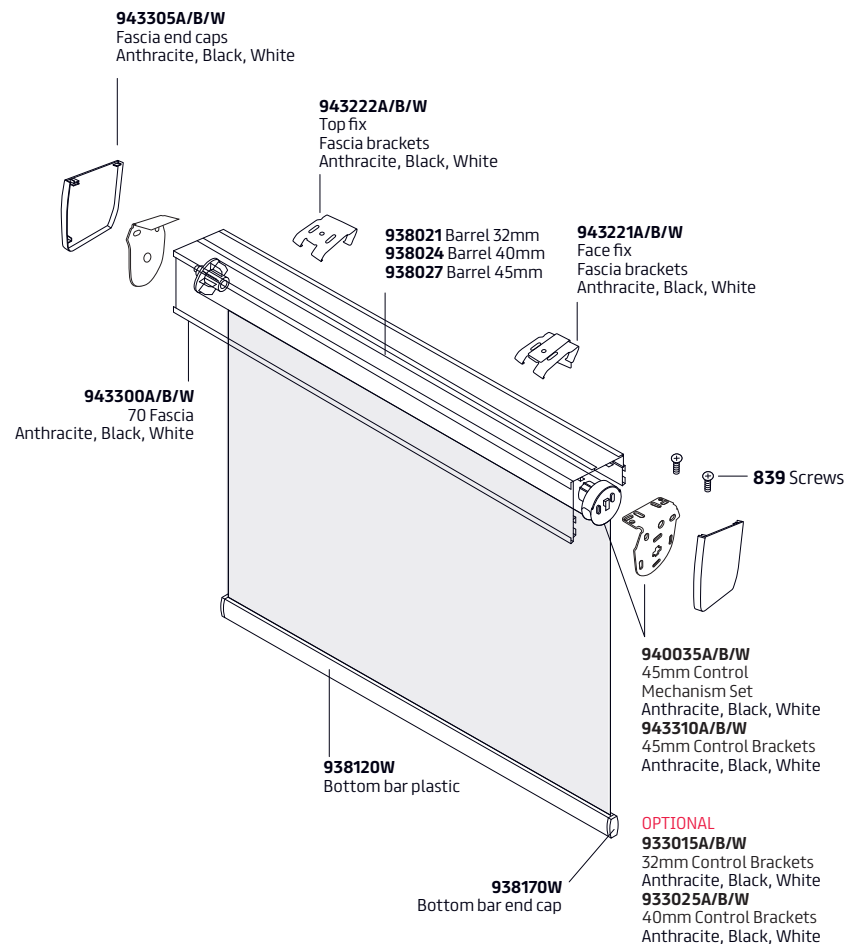
YewdaleDefiant® Fascia Component as manufactured by Yewdale, +44 (0)1268 570900. Aluminium fascia with compatible brackets, supplied in several sizes to suit different blind dimensions.



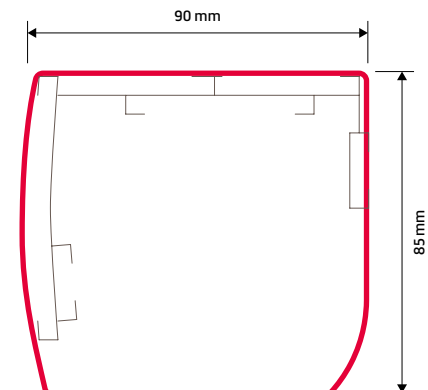
Find this product on
NBS Source

Roller Blind Specification Guide

Model	Min Width	Max Width	Max Drop	Max M ²
R20 Sidewider	200	3450	4250	6.5
R20B Low Voltage Battery 7.4v DC	533	3450	4250	6.5
R20M Low Voltage Electric 24v DC	533	3450	4250	6.5
R20W Light Duty Crank	200	2650	3350	5.0



Headbox without End Caps



Headbox with End Caps