

VN25 Tilt wand

YewdaleDefiant® Venetian Blind



Tilt Wand Mechanism

VN25 Tilt Wand

Features:

The YewdaleDefiant® VN25 Venetian Blind includes, as standard, a premium extra depth headrail, (27 x 24mm) with top fix turning fixing key brackets. The quality aluminium slats are 25mm wide with a 0.21mm thickness. The movement of the 25mm slats is guaranteed by the traditional 3 cord lock mechanism and the aluminium slats are controlled with a tilt wand mechanism for precision angles.

Benefits:

Robust and vibrant with a high quality level of performance, including smooth operation, the VN25 is visually pleasing to the eye. The comprehensive colour options satisfy almost every environment whether it be residential or commercial. The extra deep headrail can accommodate wider installations and requires less brackets. This system has been designed to offer a trouble-free solution throughout its lifetime.

Options:

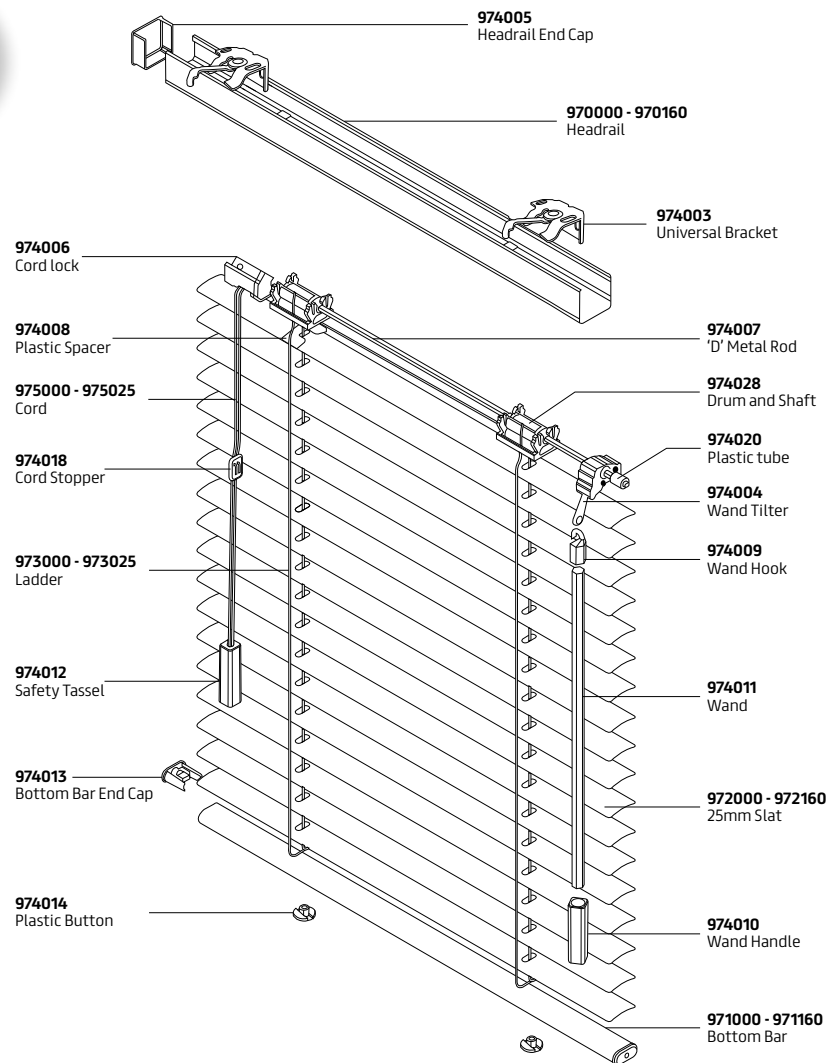
The VN25 system has a vast range of coloured and textured aluminium slats. Which can be co-ordinated with headrails, bottom bars, ladders and cords. A side guiding option is available for installations with a drop of over 2 metres.

Specification:

The YewdaleDefiant® VN25 premium Venetian blind with tilt wand and cord control as manufactured by Yewdale, +44 (0)1268 570900. 27 x 24mm colour coated aluminium headrail in 44 colours and closed rail bottom bars also in 44 colours, both with colour co-ordinated ladders and cords. Aluminium 25mm slats with 0.21mm thickness with an impressive collection of 81 colours and textures.

Venetian Blind Specification Guide

Model	Min Width	Max Width	Max Drop	Max M ²
VN25 Tilt Wand	290	3000	3000	6.25



Find this product on
NBS Source

