

VN25S Mono Chain

YewdaleDefiant® Venetian Blind



VN25S Mono Chain

Features:

The YewdaleDefiant® VN25S Venetian Blind includes, as standard, a premium extra depth headrail, (27 x 24mm) with top fix turning fixing key brackets. The quality aluminium slats are 25mm wide with a 0.21mm thickness. The unique mono chain control only requires one mechanism for the whole system. Therefore the blind is easily operated from one end giving a neater appearance overall. This innovative mechanism ensures the blind constantly stays level when lifted and slats can be angled more accurately.

Benefits:

Robust and vibrant with a high quality level of performance, including smooth operation, the VN25S is visually pleasing to the eye. The comprehensive colour options satisfy almost every environment whether it is residential or commercial. The extra deep headrail can accommodate wider installations and requires less brackets. This system has been designed to offer a trouble-free solution throughout its lifetime.

Options:

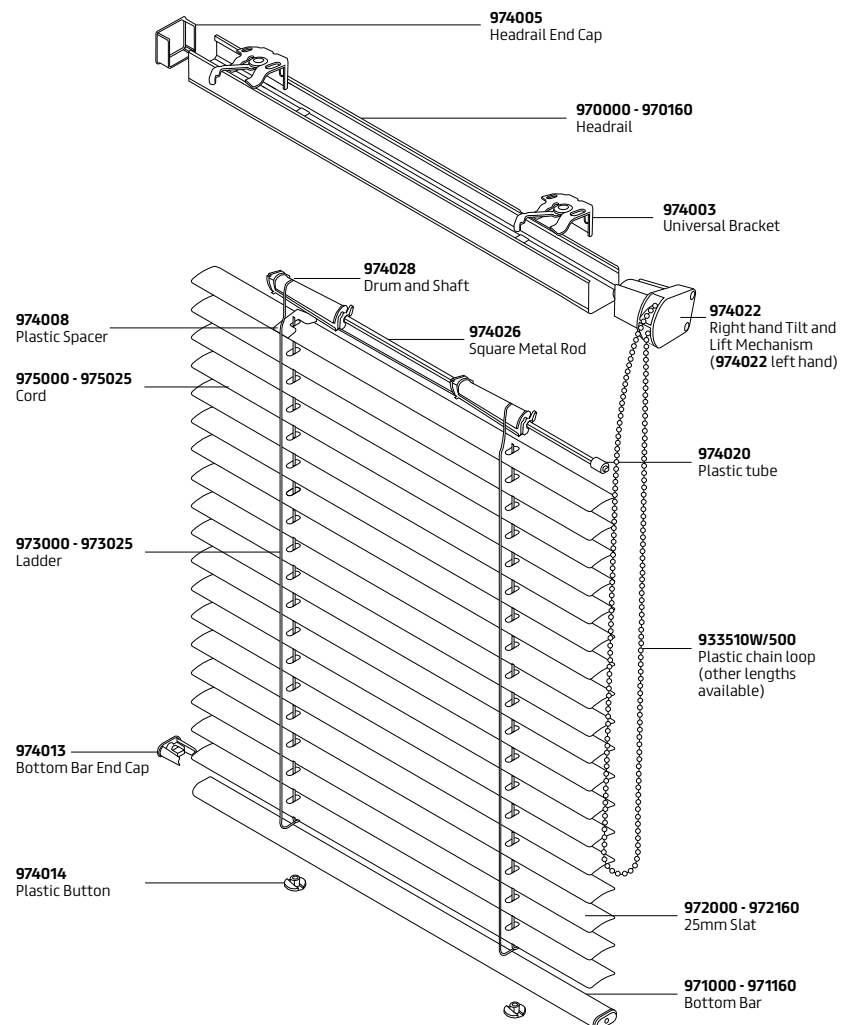
The VN25S system has a vast range of coloured and textured 25mm aluminium slats, which can be co-ordinated with headrails, bottom bars, ladders and cords. A side guiding option is available for installations with a drop of over 2 metres.

Specification:

The YewdaleDefiant® VN25S premium Venetian blind with mono chain control as manufactured by Yewdale, +44 (0)1268 570900. 27 x 24mm colour coated aluminium headrail in 44 colours and closed rail bottom bars also in 44 colours, both with colour co-ordinated ladders and cords. Aluminium 25mm slats with 0.21mm thickness with an impressive collection of 81 colours and textures.

Venetian Blind Specification Guide

Model	Min Width	Max Width	Max Drop	Max M ²
VN25S Mono chain	290	2500	2500	5



Find this product on
NBS Source

