

8500W Electric

YewdaleVitesse® Electric Draw Curtain Tracks



Section shown full size



8500W Electric

Features:

The YewdaleVitesse® 8500W electric curtain track can be top-fixed or face-fixed as standard. Its heavy duty white aluminium track, with a compact square design, is designed for use with large and heavy curtains. Heavy duty roller runners are supplied at a quantity of 12 per linear metre.

Benefits:

This robust white aluminium track, offering a low-cost motorisation opportunity with high curtain weight capacity and simple control mechanism, comes with a powerful 45 watt motor as standard. The complete solution is a combination of individual qualities - roller runners, for long-term, lubricant-free operation; heavy duty steel overlap, for light to heavy-weight use requirements; low noise belt and easy to set limit stops, for subtle and efficient home / office automation - to name a few. Couple these benefits with the capacity for it to be curved into a bespoke shape track, this popular solution provides you with a simple, yet reliable, built-in package.

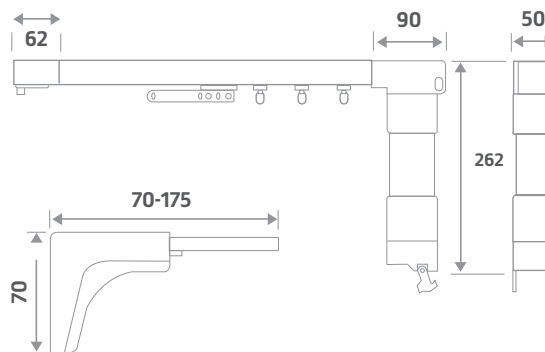
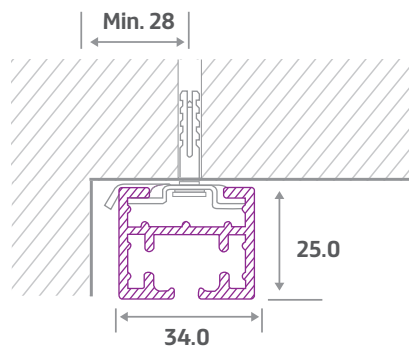
Options:

Can be bent. Available in any RAL colour of your choice. Radio remote and group control options available.

Specification:

The YewdaleVitesse® 8500W electric curtain track as manufactured by Yewdale, +44 (0)1268 570900. Heavy duty aluminium track with white powder-coated finish, top-fix turning key operation / face-fix brackets as applicable and robust 45w 240v AC motor. Complete with heavy duty roller runners at 12 per metre.

Top Fix:



8500W Specification Guide

Fixing Centres (Max.)	Bend Compatibility	Radius (Min.)	Arch Compatibility	Sync Glide Compatibility	Max. Curtain weight
600mm	✓	255mm	✗	✓	65kg

